



MBB

5BB

\*Black frame product can be provided upon request.

# KuPower

## HIGH EFFICIENCY MONO PERC MODULE

### CS3K-300 | 305 | 310 | 315MS

#### (1000 V / 1500 V)

#### MORE POWER



Low power loss in cell connection



Low NMOT:  $41 \pm 3$  °C  
Low temperature coefficient (Pmax):  $-0.37$  % / °C



Better shading tolerance



High PTC rating of up to: 93.11 %

#### MORE RELIABLE



Lower hot spot temperature



Minimizes micro-cracks



Heavy snow load up to 6000 Pa,  
wind load up to 4000 Pa\*



linear power output warranty



product warranty on materials  
and workmanship

#### MANAGEMENT SYSTEM CERTIFICATES

ISO 9001:2015 / Quality management system  
ISO 14001:2015 / Standards for environmental management system  
OHSAS 18001:2007 / International standards for occupational health & safety

#### PRODUCT CERTIFICATES\*

IEC 61215 / IEC 61730: VDE / CE / MCS / CEC AU  
UL 1703 / IEC 61215 performance: CEC listed (US) / FSEC (US Florida)  
UL 1703: CSA / IEC61701 ED2: VDE / IEC62716: VDE / IEC60068-2-68: SGS  
Take-e-way



\*We can provide this product with special BOM specifically certified with salt mist, ammonia and sand blowing tests. Please talk to our local technical sales representatives to get your customized solutions.

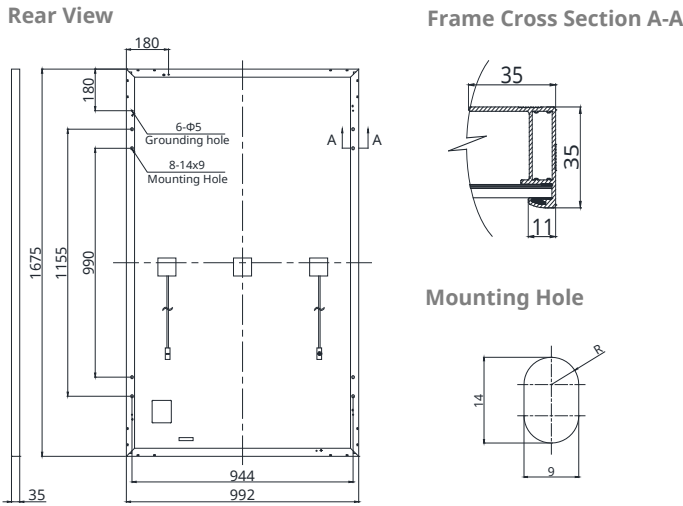
**CANADIAN SOLAR INC.** is committed to providing high quality solar products, solar system solutions and services to customers around the world. No. 1 module supplier for quality and performance/price ratio in IHS Module Customer Insight Survey. As a leading PV project developer and manufacturer of solar modules with over 30 GW deployed around the world since 2001.

\* For detailed information, please refer to Installation Manual.

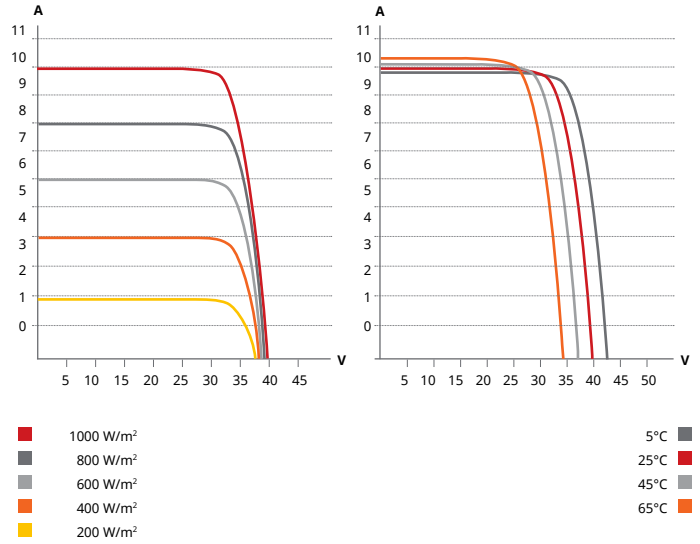
**CANADIAN SOLAR INC.**

545 Speedvale Avenue West, Guelph, Ontario N1K 1E6, Canada, [www.canadiansolar.com](http://www.canadiansolar.com), [support@canadiansolar.com](mailto:support@canadiansolar.com)

**ENGINEERING DRAWING (mm)**



**CS3K-305MS / I-V CURVES**



**ELECTRICAL DATA | STC\***

| CS3K                         | 300MS                                   | 305MS  | 310MS  | 315MS   |
|------------------------------|---|--------|--------|---------|
| Nominal Max. Power (Pmax)    | 300 W                                   | 305 W  | 310 W  | 315 W   |
| Opt. Operating Voltage (Vmp) | 32.5 V                                  | 32.7 V | 32.9 V | 33.1 V  |
| Opt. Operating Current (Imp) | 9.24 A                                  | 9.33 A | 9.43 A | 9.52 A  |
| Open Circuit Voltage (Voc)   | 39.3 V                                  | 39.5 V | 39.7 V | 39.9 V  |
| Short Circuit Current (Isc)  | 9.82 A                                  | 9.90 A | 9.98 A | 10.06 A |
| Module Efficiency            | 18.05%                                  | 18.36% | 18.66% | 18.96%  |
| Operating Temperature        | -40°C ~ +85°C                           |        |        |         |
| Max. System Voltage          | 1500V (IEC/UL) or 1000V (IEC/UL)        |        |        |         |
| Module Fire Performance      | TYPE 1 (UL 1703) or CLASS C (IEC 61730) |        |        |         |
| Max. Series Fuse Rating      | 30 A                                    |        |        |         |
| Application Classification   | Class A                                 |        |        |         |
| Power Tolerance              | 0 ~ + 5 W                               |        |        |         |

\* Under Standard Test Conditions (STC) of irradiance of 1000 W/m², spectrum AM 1.5 and cell temperature of 25°C.

**ELECTRICAL DATA | NMOT\***

| CS3K                         | 300MS  | 305MS  | 310MS  | 315MS  |
|------------------------------|--------|--------|--------|--------|
| Nominal Max. Power (Pmax)    | 224 W  | 228 W  | 231 W  | 235 W  |
| Opt. Operating Voltage (Vmp) | 30.2 V | 30.3 V | 30.5 V | 30.7 V |
| Opt. Operating Current (Imp) | 7.42 A | 7.50 A | 7.58 A | 7.65 A |
| Open Circuit Voltage (Voc)   | 37.0 V | 37.1 V | 37.3 V | 37.5 V |
| Short Circuit Current (Isc)  | 7.92 A | 7.98 A | 8.05 A | 8.11 A |

\* Under Nominal Module Operating Temperature (NMOT), irradiance of 800 W/m², spectrum AM 1.5, ambient temperature 20°C, wind speed 1 m/s.

**MECHANICAL DATA**

| Specification                      | Data   |
|------------------------------------|--|
| Cell Type                          | Mono-crystalline   |
| Cell Arrangement                   | 120 [2 X (10 X 6) ]  |
| Dimensions                         | 1675 X 992 X 35 mm<br>(65.9 X 39.1 X 1.38 in)  |
| Weight                             | 18.5 kg (40.8 lbs)   |
| Front Cover                        | 3.2 mm tempered glass  |
| Frame                              | Anodized aluminium alloy   |
| J-Box                              | IP68, 3 bypass diodes  |
| Cable                              | 4.0 mm² (IEC), 12 AWG (UL),  |
| Cable Length (Including Connector) | Portrait: 400 mm (15.7 in) (+) / 280 mm (11.0 in) (-); landscape: 1160 mm (45.7 in)* |
| Connector                          | T4 series  |
| Per Pallet                         | 30 pieces  |
| Per Container (40' HQ)             | 840 pieces   |

\* For detailed information, please contact your local Canadian Solar sales and technical representatives.

**TEMPERATURE CHARACTERISTICS**

| Specification                        | Data         |
|--------------------------------------|--------------|
| Temperature Coefficient (Pmax)       | -0.37 % / °C |
| Temperature Coefficient (Voc)        | -0.29 % / °C |
| Temperature Coefficient (Isc)        | 0.05 % / °C  |
| Nominal Module Operating Temperature | 41 ± 3°C     |

**PARTNER SECTION**



\* The specifications and key features contained in this datasheet may deviate slightly from our actual products due to the on-going innovation and product enhancement. Canadian Solar Inc. reserves the right to make necessary adjustment to the information described herein at any time without further notice.

**CANADIAN SOLAR INC.**

545 Speedvale Avenue West, Guelph, Ontario N1K 1E6, Canada, [www.canadiansolar.com](http://www.canadiansolar.com), [support@canadiansolar.com](mailto:support@canadiansolar.com)